

SPECIFICATIONS:

10 WATT COAXIAL TERMINATION

POWER RATING: 10 WATTS CW @ 40°C.
12 WATTS CW @ 25°C.

FREQUENCY RANGE & VSWR: DC TO 1GHz AT 1.10:1 MAX.
1GHz TO 4GHz AT 1.25:1 MAX.

CONNECTOR TYPE: TNC-FEMALE

IMPEDANCE: 50 OHMS, NOMINAL

AMBIENT TEMPERATURE RANGE: -40°C TO +40°C

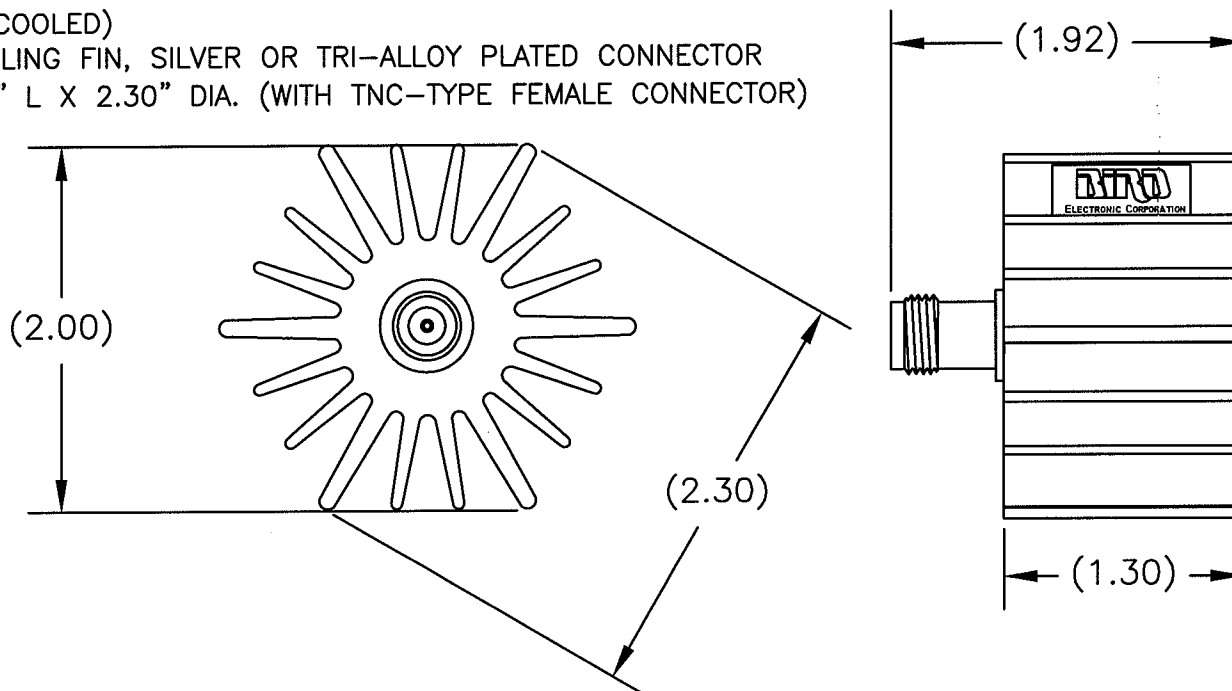
OPERATING POSITION: ANY

COOLANT: DRY (CONVECTION COOLED)

FINISH: BLACK ANODIZED COOLING FIN, SILVER OR TRI-ALLOY PLATED CONNECTOR
NOMINAL SIZE: APPROX. 1.92" L X 2.30" DIA. (WITH TNC-TYPE FEMALE CONNECTOR)

WEIGHT: APPROX. 3 OZ.

REVISIONS			DWG. NO.	10-T-FT	SHEET	REV
ZONE	REV	DESCRIPTION	DATE	APPROVED		
	A	ECN #0185	12-23-97	<i>MAV</i>		



UNLESS OTHERWISE SPECIFIED
DIMENSIONS ARE IN INCHES
TOLERANCES ARE:

FRACTIONS	DECIMALS	ANGLES
± 1/64	.XX = ±.010	± 30'
	.XXX = ±.005	

DO NOT SCALE DRAWING

MILLIMETERS
.X = ±.4
.XX = ±.12

THIS DRAWING IS THE PROPERTY OF THE BIRD ELECTRONIC CORPORATION. THE DESIGNS AND SPECIFICATIONS DISCLOSED HEREON ARE PROPRIETARY AND SHALL NOT BE REPRODUCED, NOR COPIED, NOR USED AS THE BASIS FOR THE MANUFACTURE OR SALE OF APPARATUS OR DEVICES WITHOUT THEIR EXPRESS WRITTEN CONSENT.



BIRD Electronic Corporation
Cleveland (Solon) Ohio USA

MATERIAL	APPROVALS	DATE	TITLE
	DRAWN D.M.RINK	4-3-03	FINAL ASS'Y, TERMINATION TNC-TYPE FEMALE, 10W
	CHECKED		
FINISH	APPROVED <i>W. MAV</i>	5-30-03	SIZE A
		AUTOCAD	FSCM NO. 70998

SIZE	FSCM NO.	DWG. NO.	REV
A	70998	10-T-FT	A
SCALE 1:1	COMM CODE LD1	SHEET 1 OF 1	